



secret JARDIN

For Twenty **100**

INSTRUCTIONS

**FS100**



[info@secretjardin.com](mailto:info@secretjardin.com)



[Secretjardin\\_](https://www.instagram.com/Secretjardin_)



[Secret Jardin Official](https://www.youtube.com/SecretJardinOfficial)



[Secret Jardin](https://www.facebook.com/SecretJardin)



[secretjardin.com](https://www.secretjardin.com)

**EN** For instructions in other languages, please visit our website using the QR Code below.

**FR** Pour obtenir des instructions dans d'autres langues, veuillez visiter notre site Web à l'aide du code QR ci-dessous.

**NL** Voor instructies in andere talen kunt u onze website bezoeken met behulp van de onderstaande QR-code.

**DE** Für Anweisungen in anderen Sprachen besuchen Sie bitte unsere Website mit dem untenstehenden QR-Code.

**ES** Para obtener instrucciones en otros idiomas, visite nuestro sitio web utilizando el código QR a continuación.

**IT** Per istruzioni in altre lingue, visita il nostro sito web utilizzando il codice QR riportato di seguito.



# SUMMARY

<b>INTRODUCTION</b> . . . . .	<b>4</b>
<b>WARNING AND SAFETY INSTRUCTIONS</b> . . . . .	<b>5</b>
<b>PRODUCT CONTENTS</b> . . . . .	<b>6</b>
<b>ASSEMBLY INSTRUCTIONS</b> . . . . .	<b>7</b>
INSTRUCTIONS FOR REVERSE ASSEMBLY . . . . .	7
STRUCTURE . . . . .	8
FABRIC . . . . .	9
DUCTING FLANGE . . . . .	10
LIGHT BAFFLE . . . . .	10
CABLE FLANGE . . . . .	10
TIMER & EXTRACTOR . . . . .	11
WIRING . . . . .	12
FANS . . . . .	15
LIGHTING . . . . .	16
WEB PLANT SUPPORT . . . . .	17
HEATING MAT (OPTION) . . . . .	17
FILTER (OPTION) . . . . .	18
FIX TO WALL (OPTIONAL) . . . . .	18
<b>HOW TO USE</b> . . . . .	<b>19</b>
USING THE TIMER . . . . .	19
USING THE EXTRACTOR . . . . .	19
<b>MAINTENANCE</b> . . . . .	<b>20</b>
FILTER (OPTION) . . . . .	20
CLEANING . . . . .	20
<b>PRODUCT SPECIFICATIONS</b> . . . . .	<b>21</b>
<b>WARRANTY</b> . . . . .	<b>22</b>

# INTRODUCTION

## DEAR VALUED CULTIVATOR,

Thank you for purchasing our cutting-edge indoor cultivation kit.

We are truly grateful for your choice in selecting the first complete grow kit featuring all equipment operating at 24V, ensuring both safety and energy efficiency.

In this instruction booklet, you'll find a comprehensive assembly and usage guide.

We appreciate your trust in our product, and we are excited to embark on this cultivation journey with you.

Happy growing!



Video presentation



# WARNING AND SAFETY INSTRUCTIONS

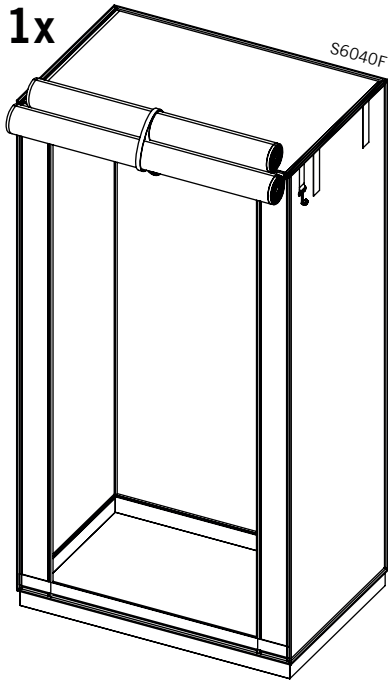


## PLEASE READ CAREFULLY BEFORE USE

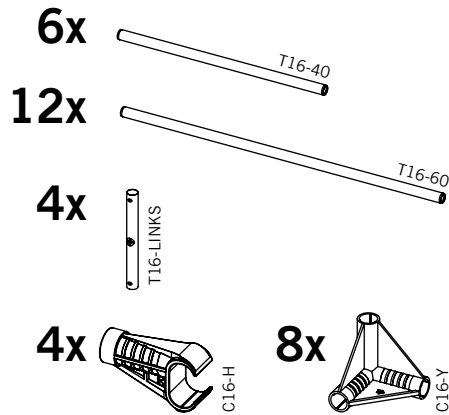
- Make sure that all electrical products used with the tent are properly secured, so that they cannot fall out if the tent is shaken.
- Make sure to keep 20 cm of free space on sides (in addition to extractor's volume) and 5 cm free space on the back to ensure proper ventilation around the tent.
- Make sure that all products used with this tent comply with the standards in force in your country. If you find that the product is damaged, do not use it.
- Do not leave your tent unsupervised in the presence of young children.
- This product is designed for indoor use only. Do not use it outside.
- Compare the connection data on the data plate of the power supply unit (mains voltage and frequency) with that of the mains electricity supply. This data must match.
- When watering, pay attention not to splash a lot of water on electrical equipment.

# PRODUCT CONTENTS

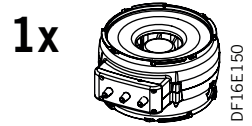
## TENT FABRIC



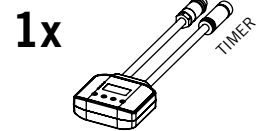
## TENT STRUCTURE



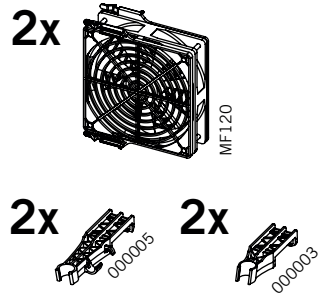
## EXTRACTOR



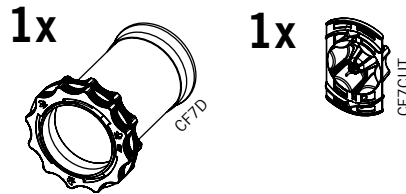
## TIMER



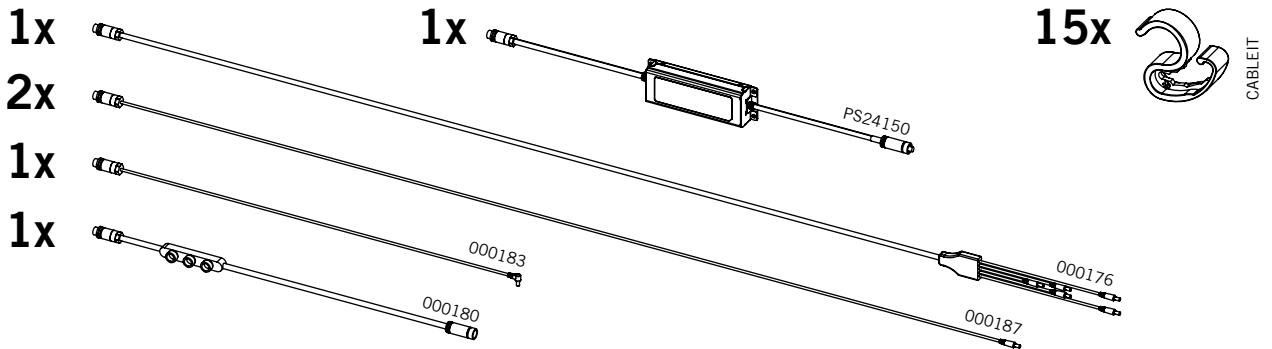
## FANS



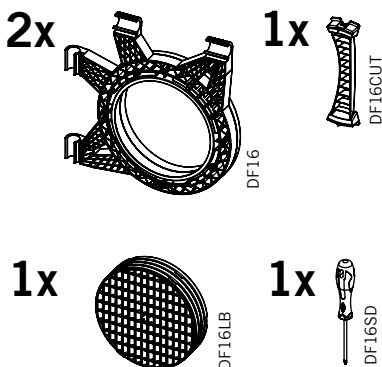
## CABLE FLANGE



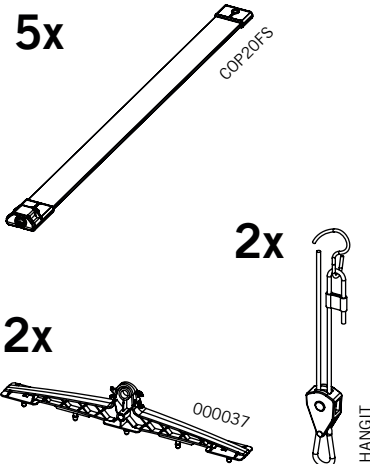
## WIRING



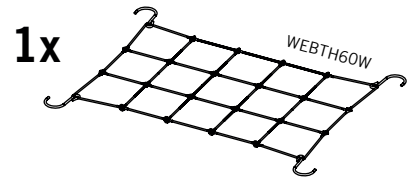
## DUCTING FLANGES & LIGHT Baffle



## LIGHTING



## WEB PLANT SUPPORT

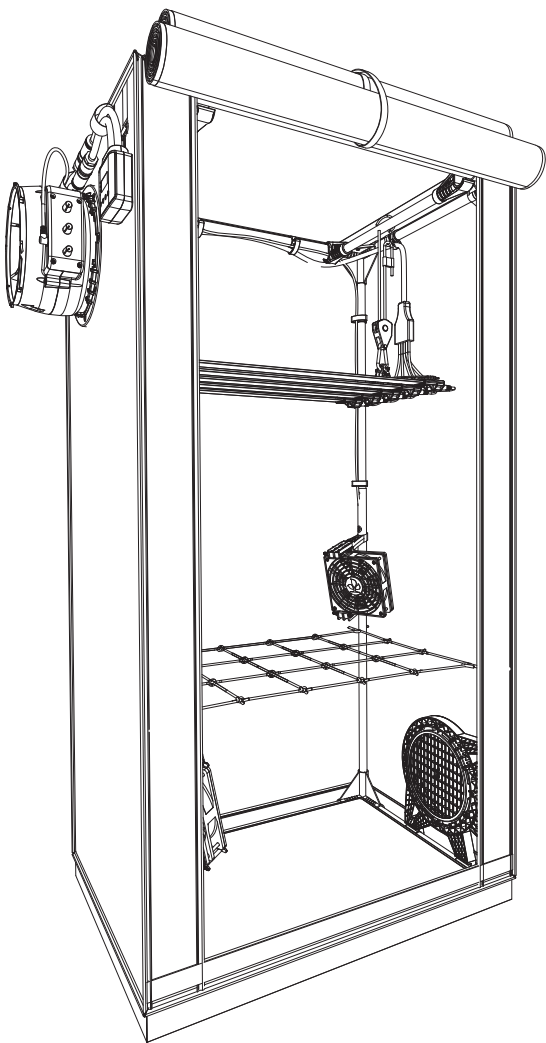


# ASSEMBLY INSTRUCTIONS

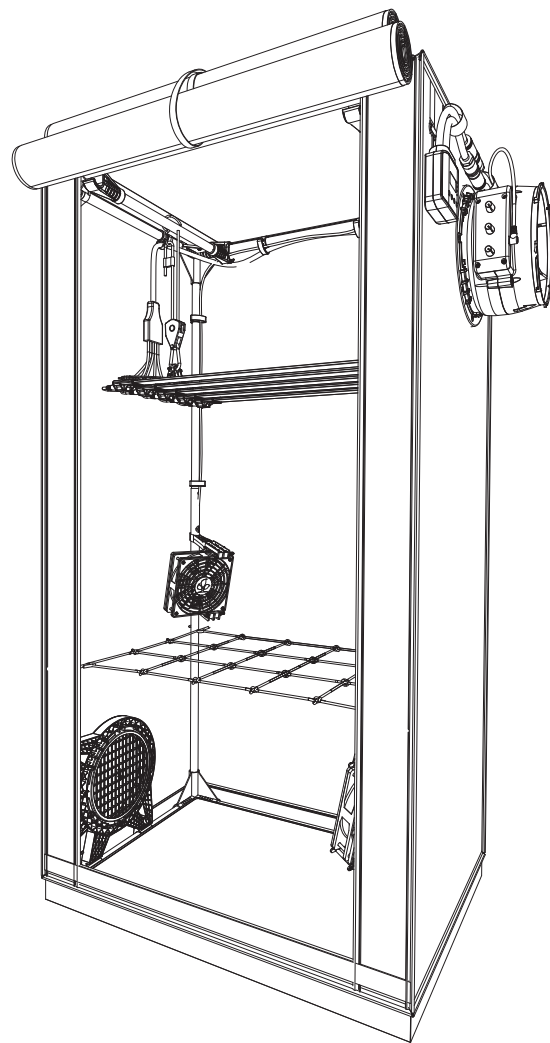
## INSTRUCTIONS FOR REVERSE ASSEMBLY

The following instructions detail normal assembly.

The tent can be assembled in reverse as shown below. If you wish to follow reverse assembly, be sure to invert placement of Ducting Flanges and Cable Flange in the next steps, as these require cutting openings in the fabric. Once placed, these can no longer be repositioned.



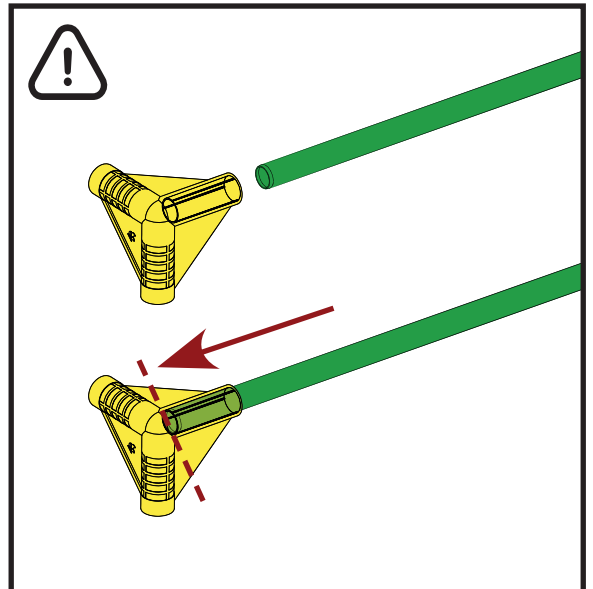
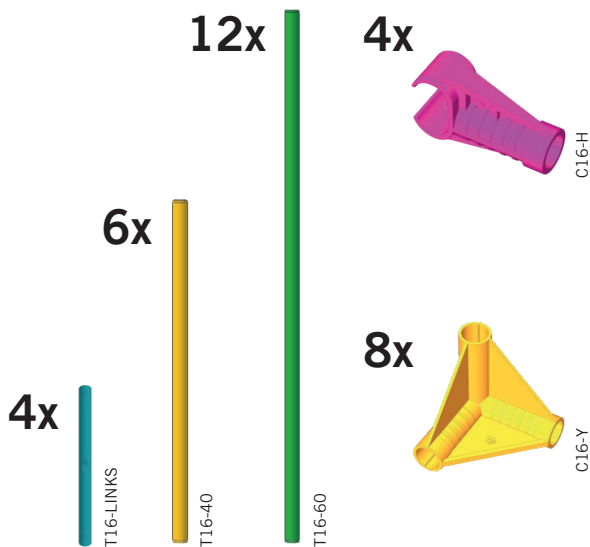
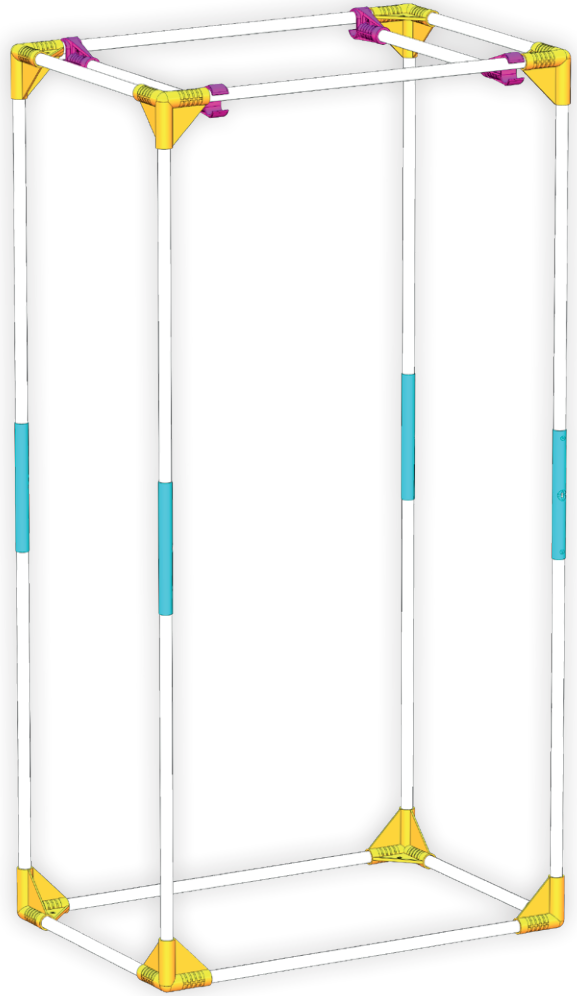
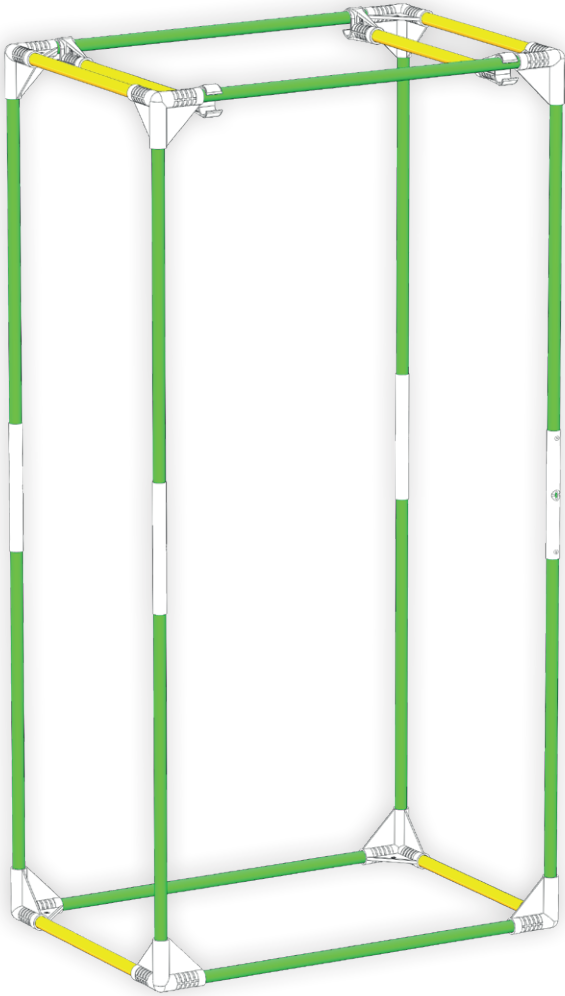
**NORMAL ASSEMBLY**  
Extractor on LEFT side



**REVERSE ASSEMBLY**  
Extractor on RIGHT side

# ASSEMBLY INSTRUCTIONS

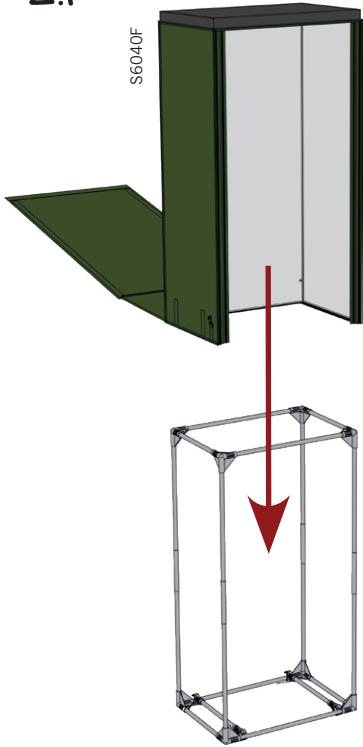
## 1 STRUCTURE



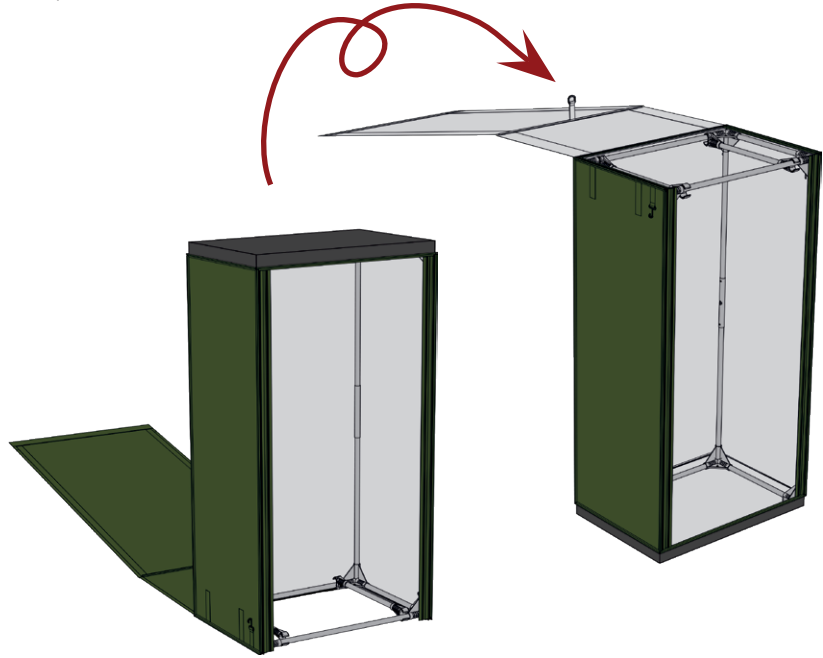
# ASSEMBLY INSTRUCTIONS

## 2 FABRIC

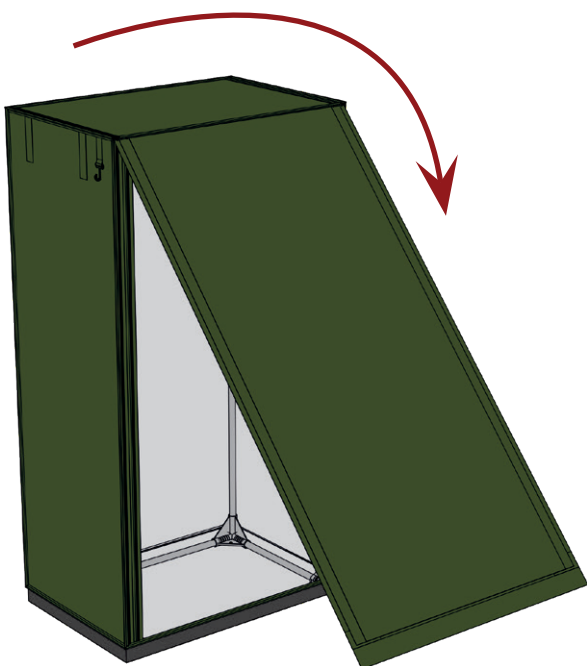
2.1



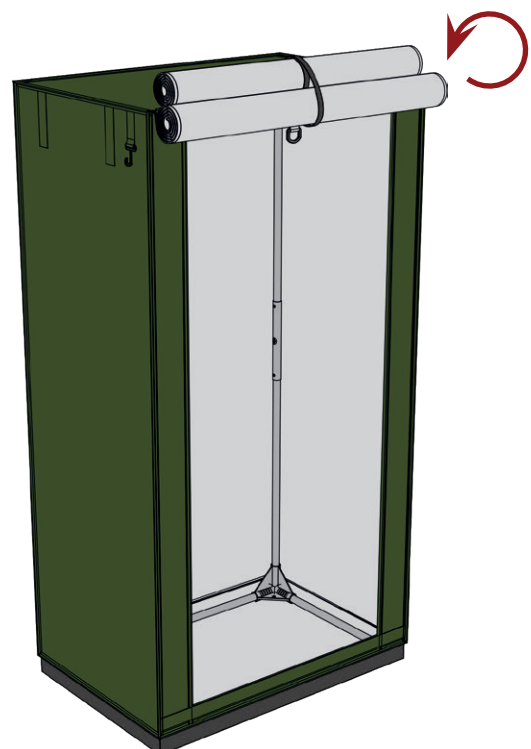
2.2



2.3

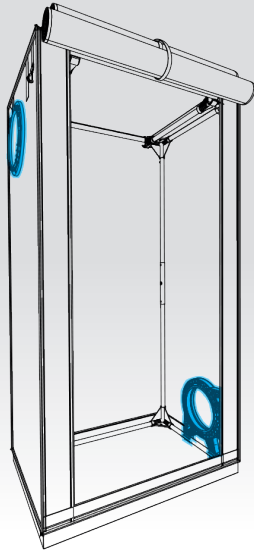


2.4



# ASSEMBLY INSTRUCTIONS

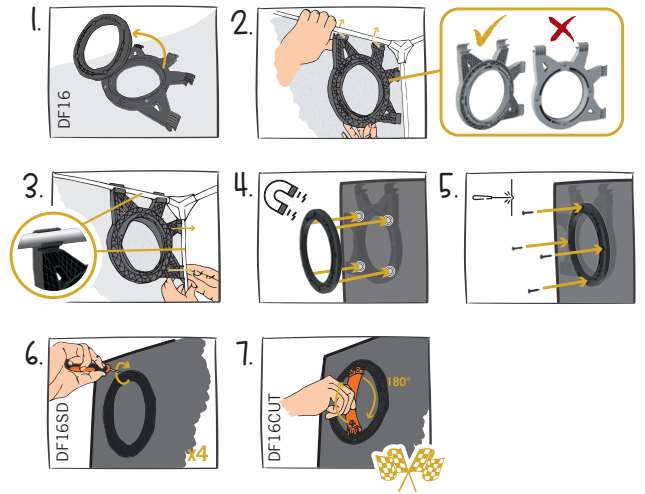
## 3 DUCTING FLANGE



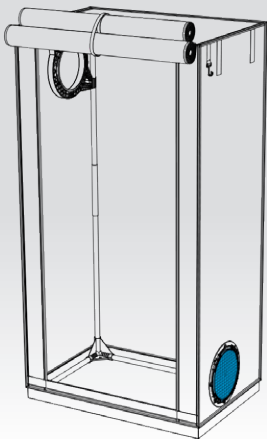
2x



DF16



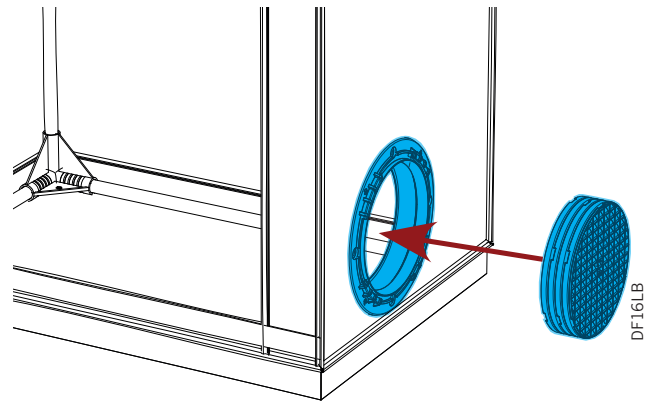
## 4 LIGHT BAFFLE



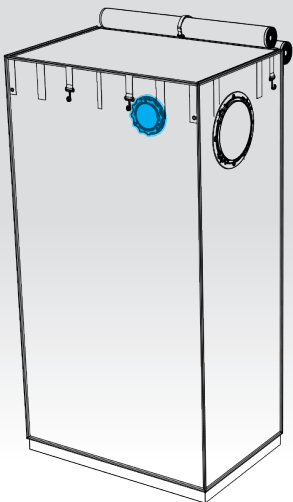
1x



DF16LB



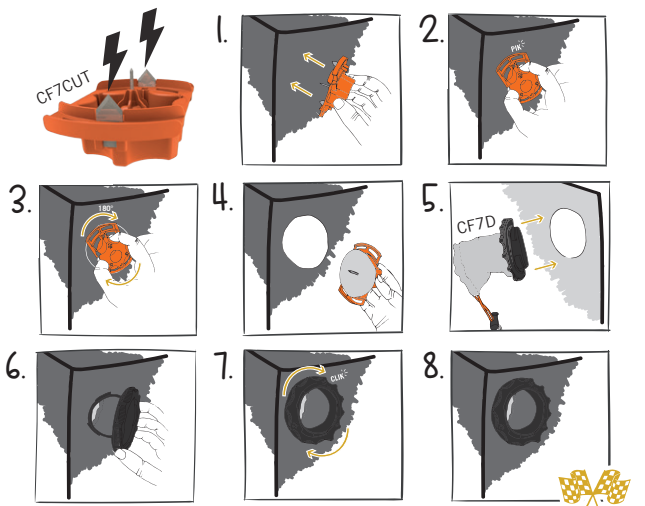
## 5 CABLE FLANGE



1x

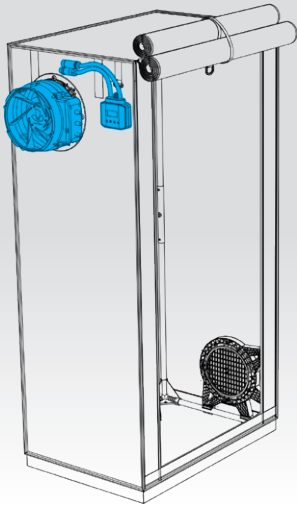


CF7D

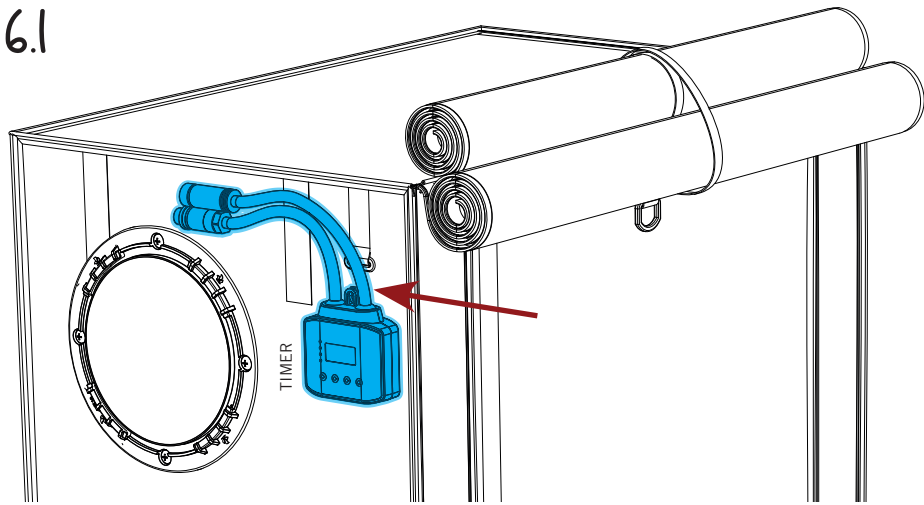


# ASSEMBLY INSTRUCTIONS

## 6 TIMER & EXTRACTOR



6.1

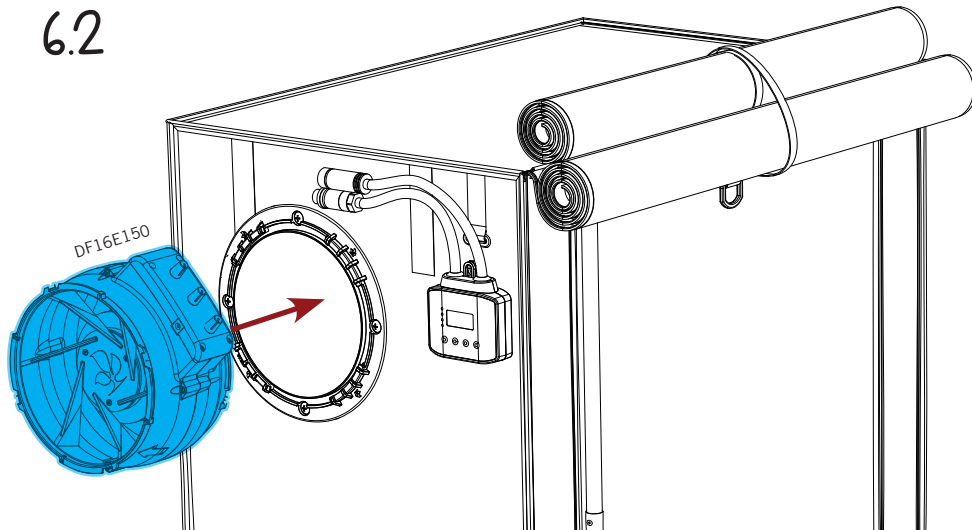


1x



TIMER

6.2

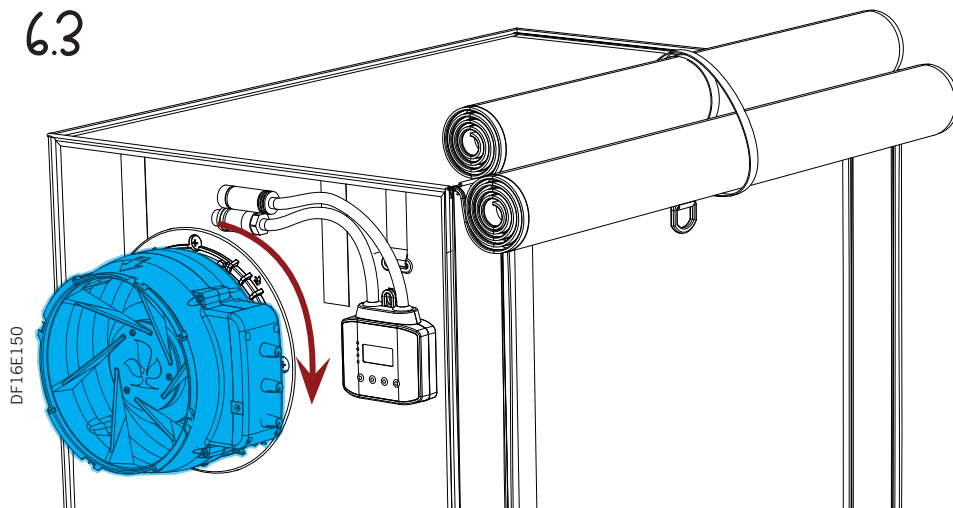


1x



DF16E150

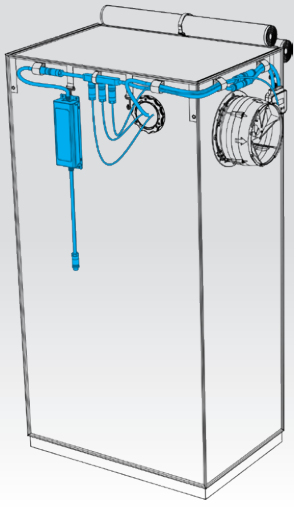
6.3



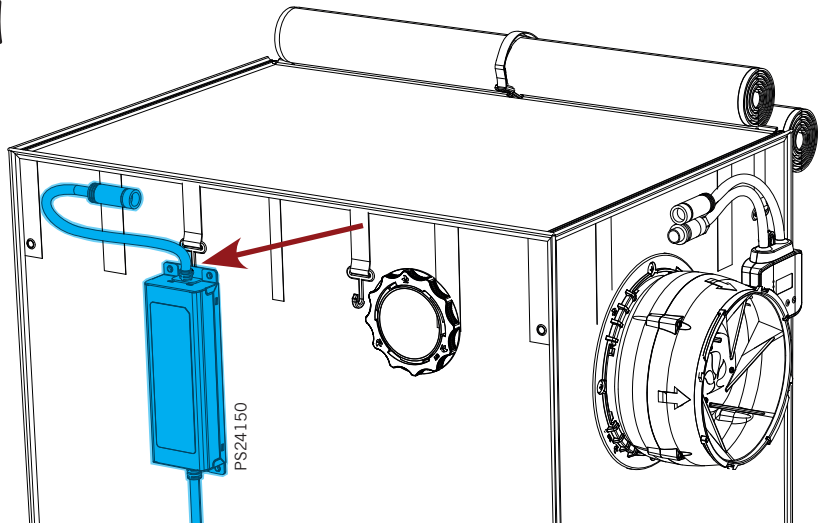


# ASSEMBLY INSTRUCTIONS

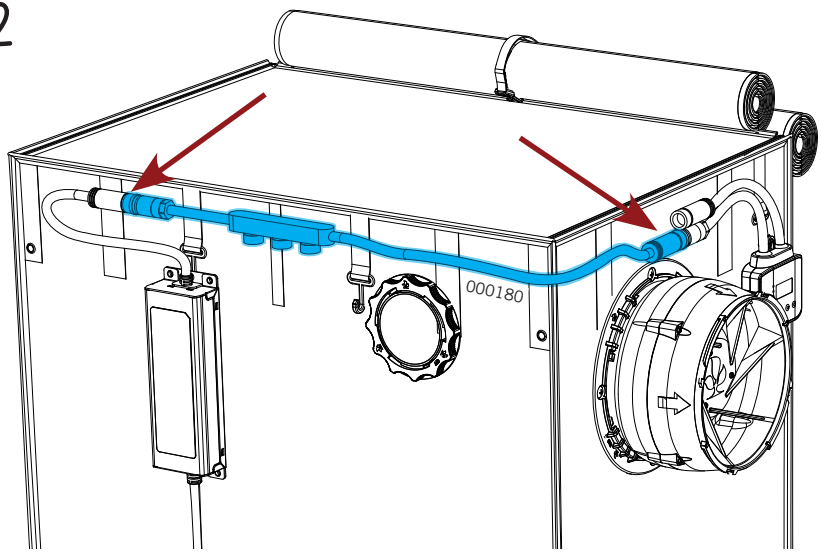
## 7 WIRING



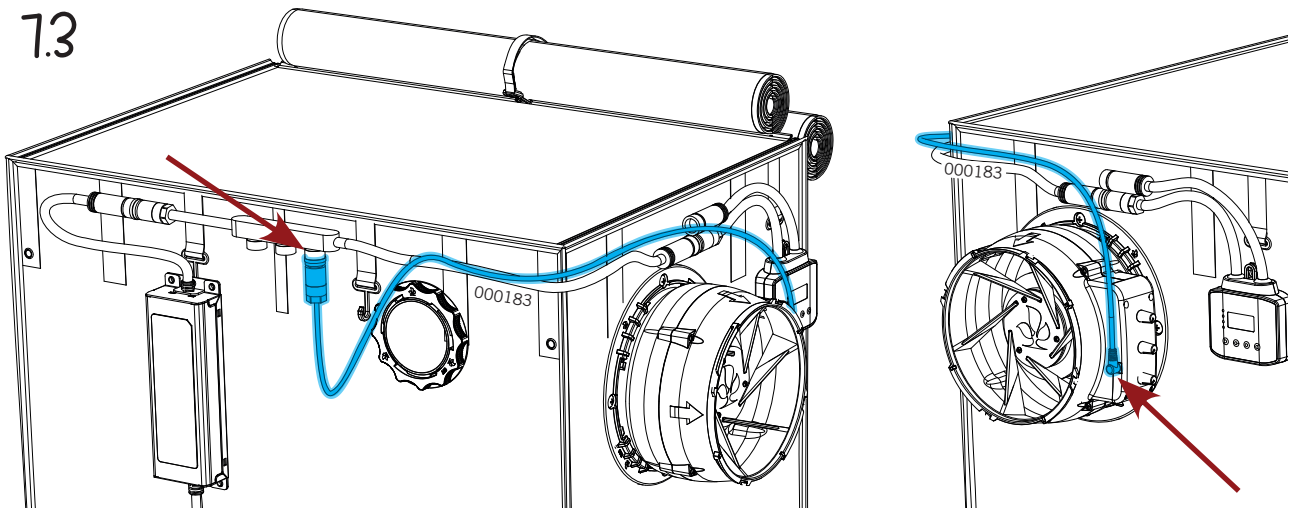
7.1



7.2



7.3

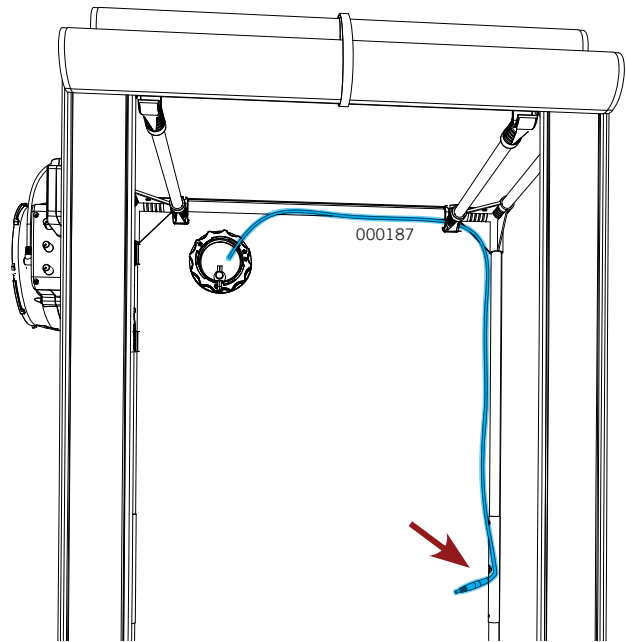
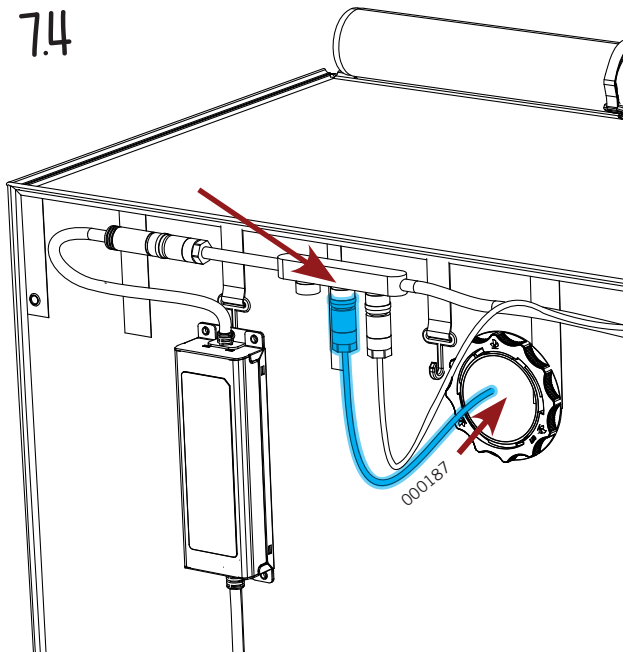




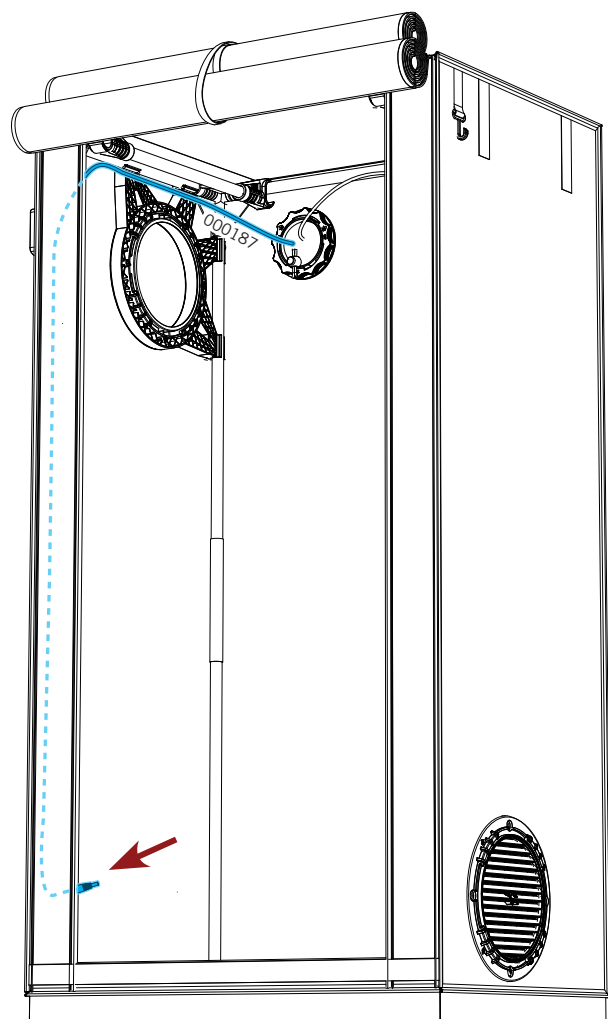
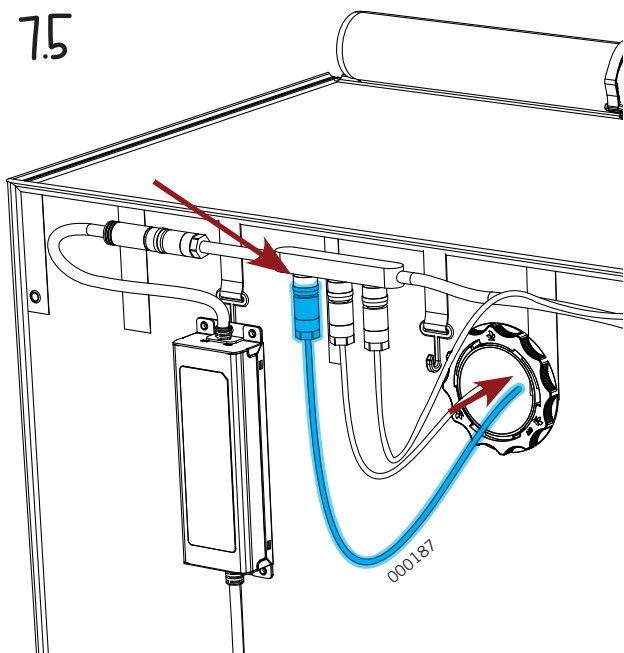
# ASSEMBLY INSTRUCTIONS

## 7 WIRING (CONT.)

7.4



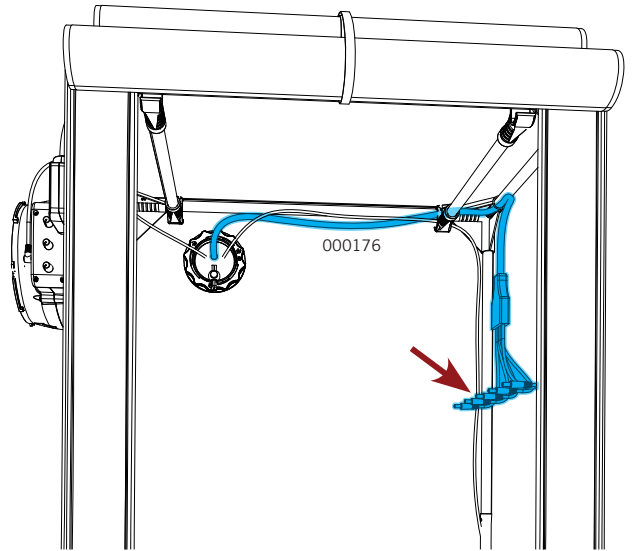
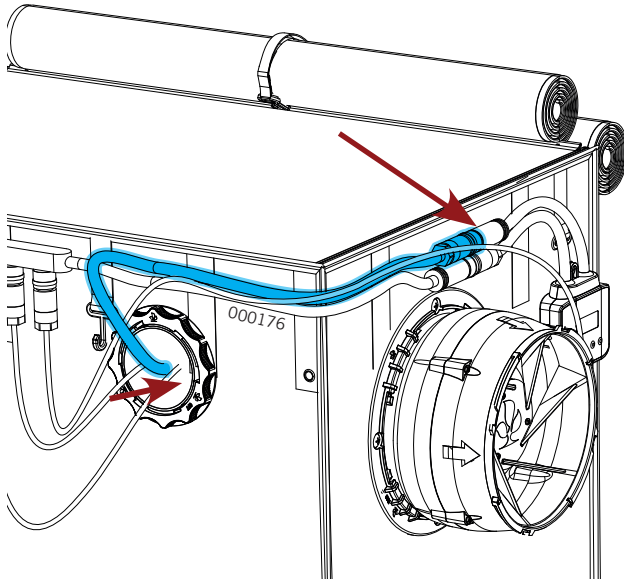
7.5



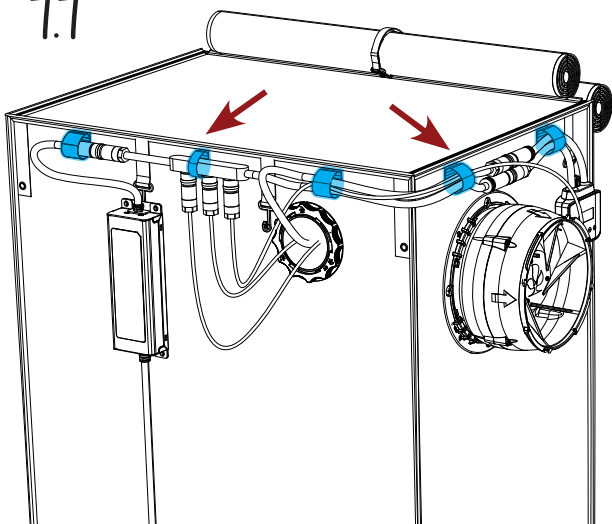
# ASSEMBLY INSTRUCTIONS

## 7 WIRING (CONT.)

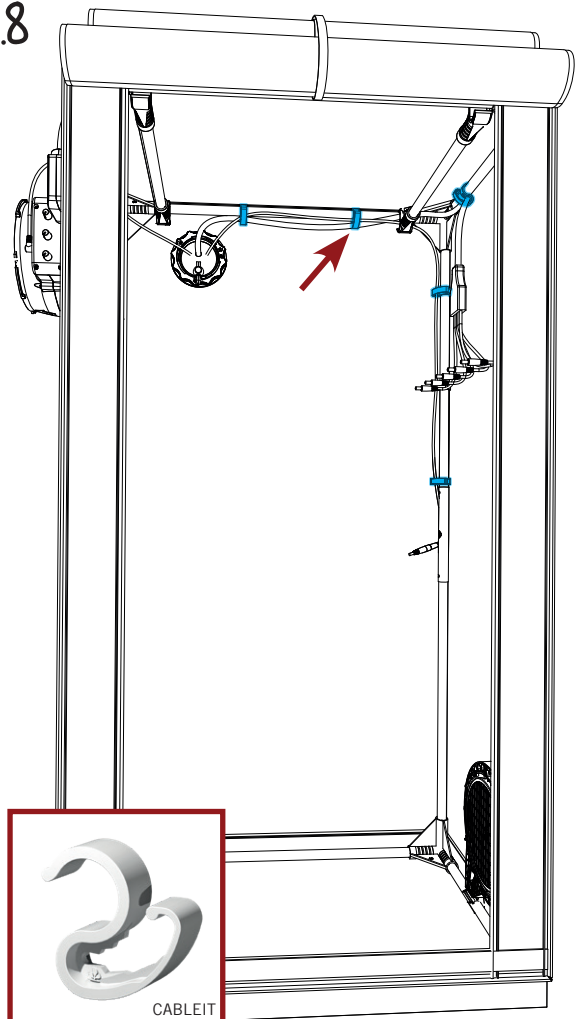
7.6



7.7

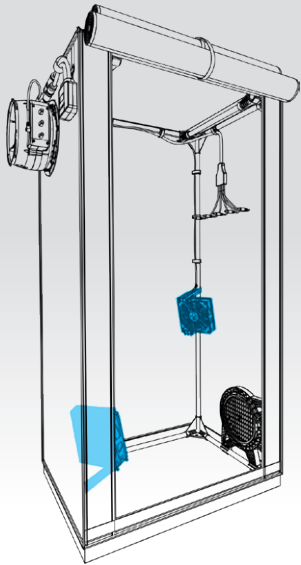


7.8



# ASSEMBLY INSTRUCTIONS

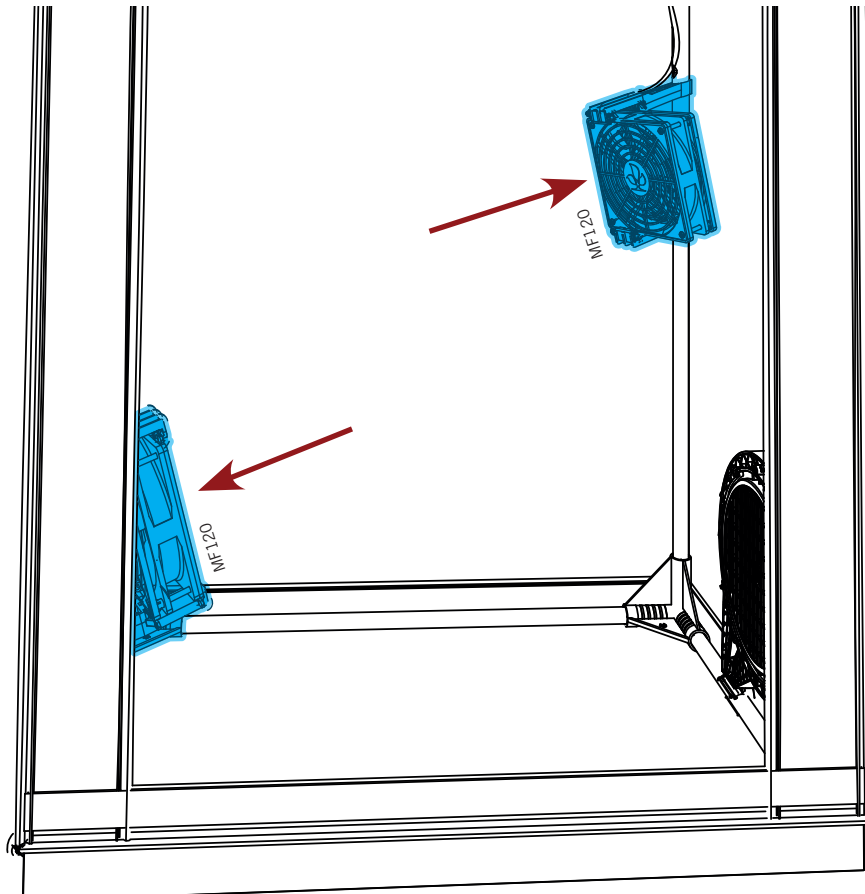
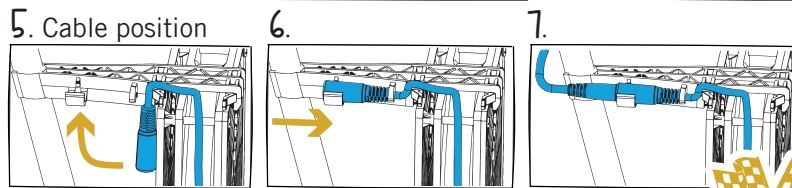
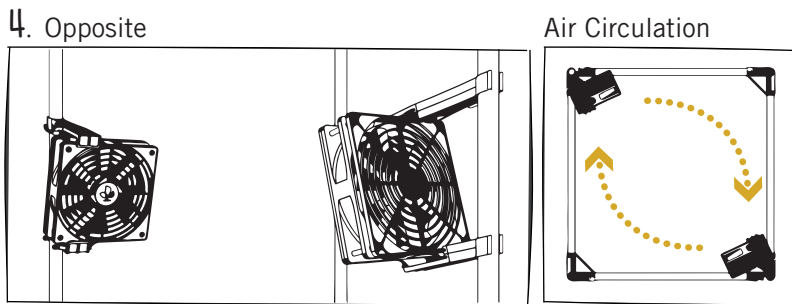
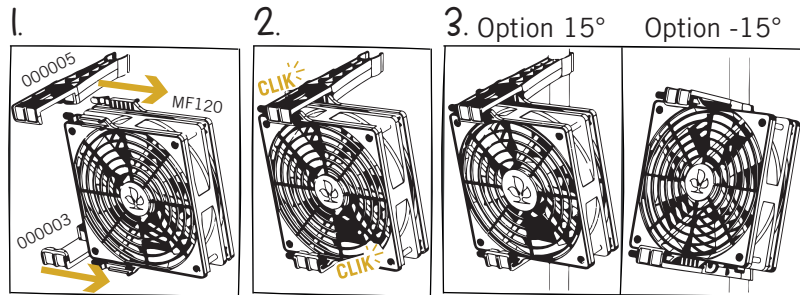
## 8 FANS



2x

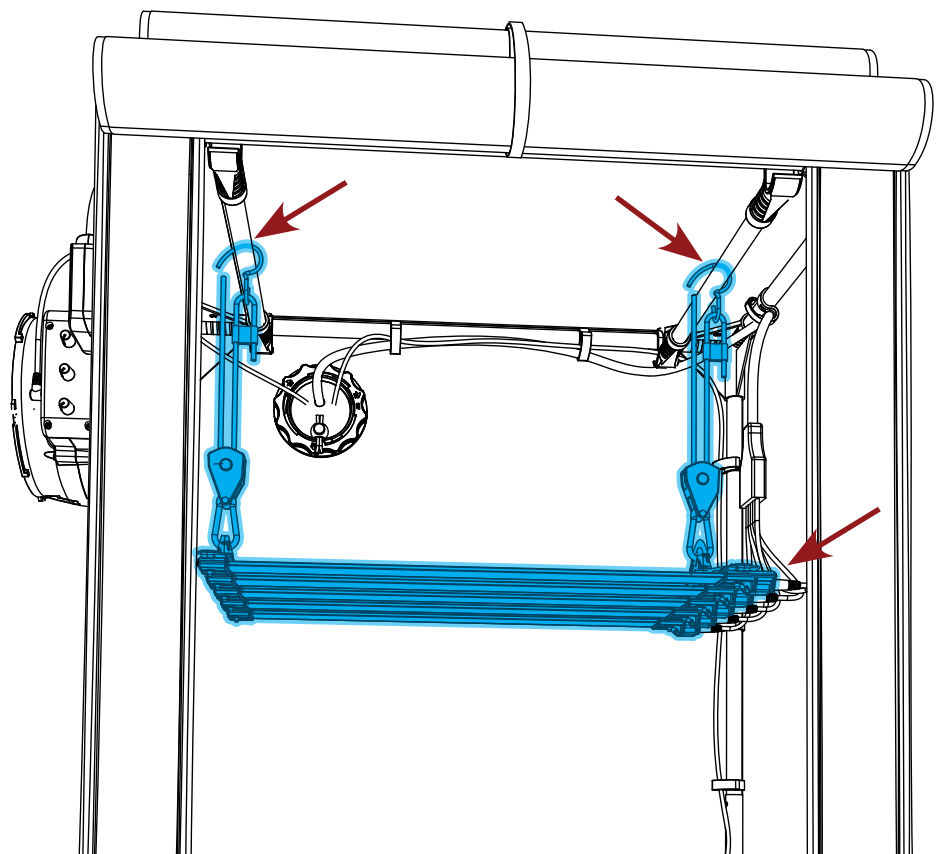
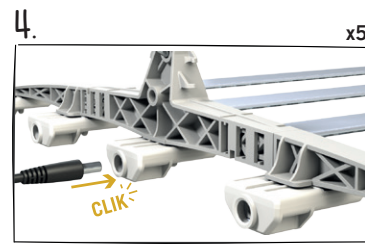
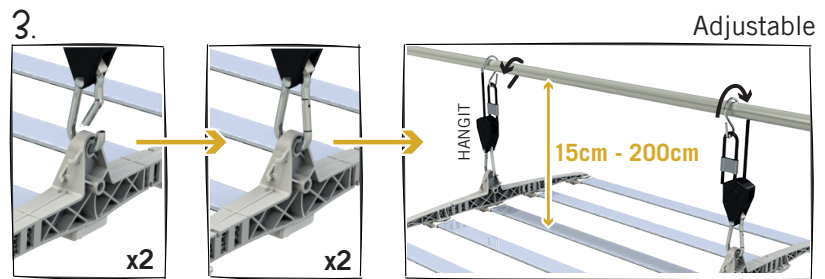
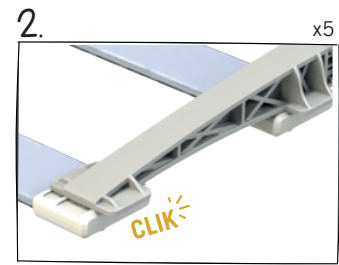
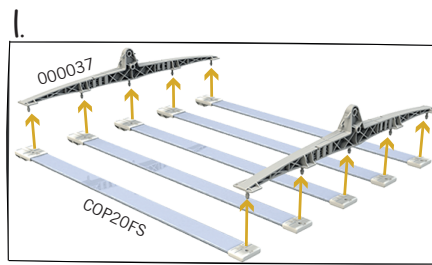
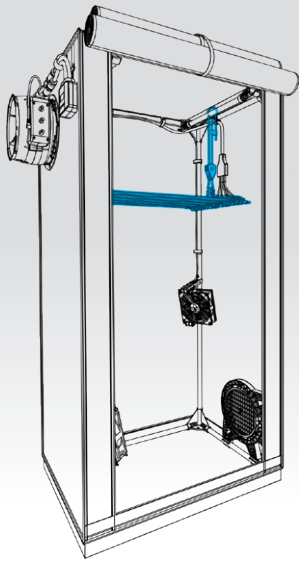


MF120



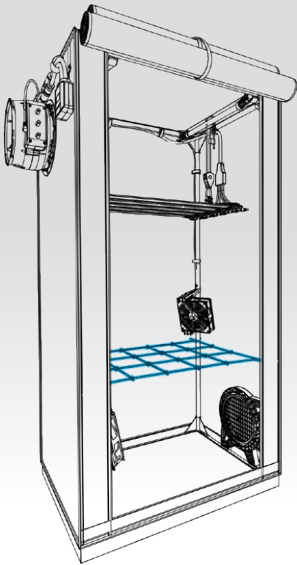
# ASSEMBLY INSTRUCTIONS

## 9 LIGHTING

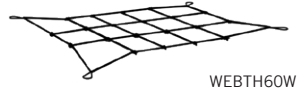


# ASSEMBLY INSTRUCTIONS

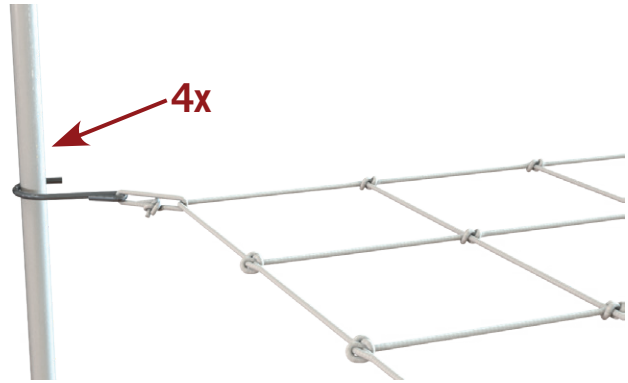
## 10 WEB PLANT SUPPORT



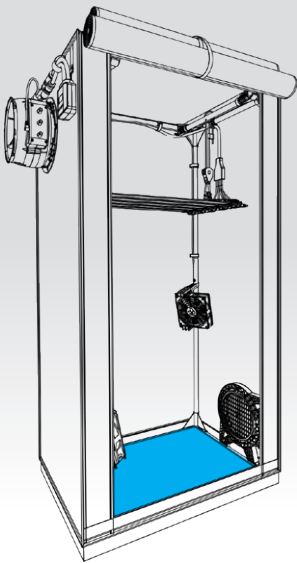
1x



WEBTH60W

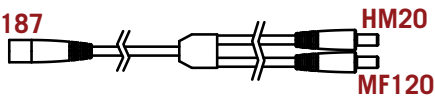


## 11 HEATING MAT (OPTION)



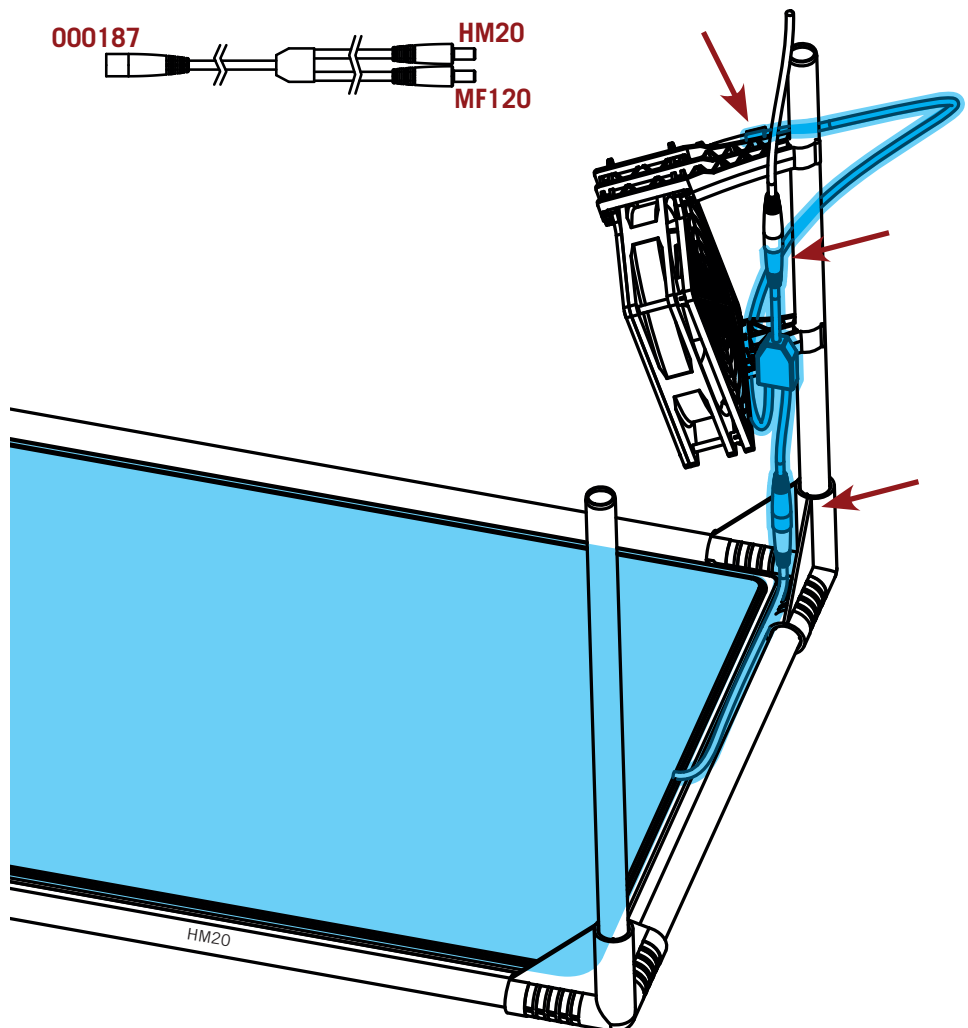
HM20 (OPTION)

000187



HM20

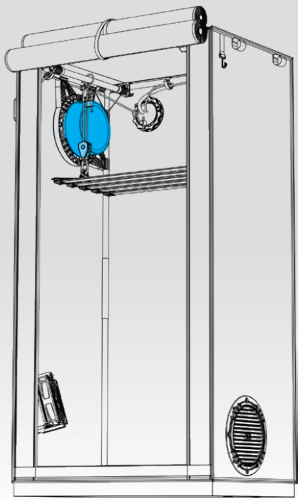
MF120





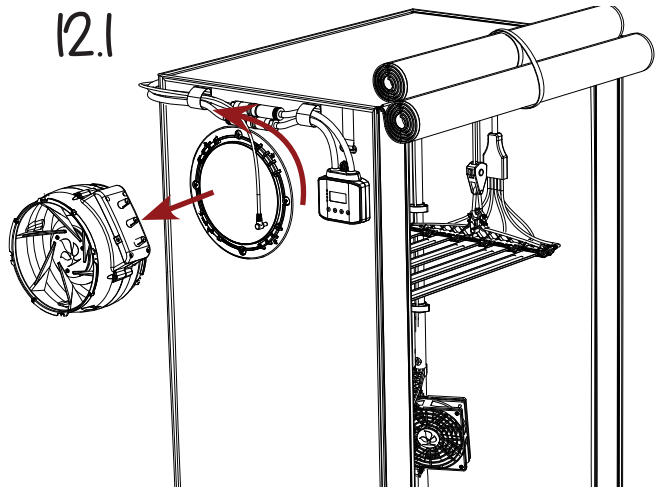
# ASSEMBLY INSTRUCTIONS

## 12 FILTER (OPTION)

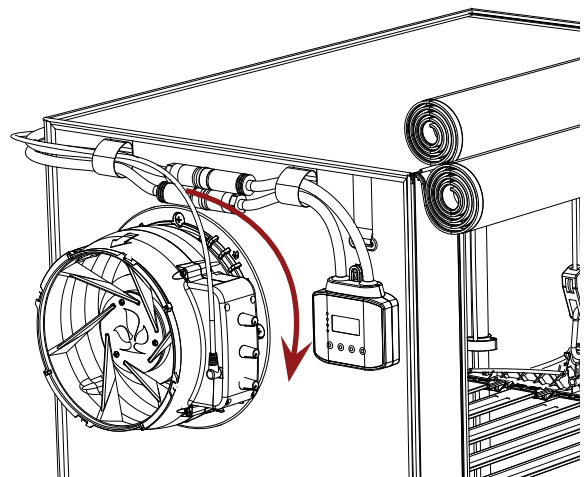
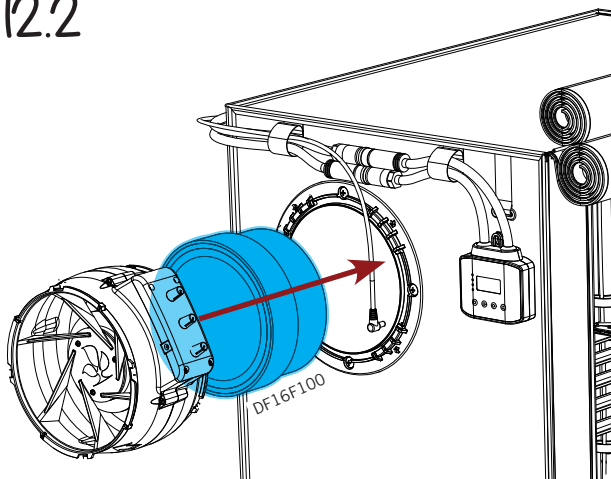


DF16F100 (OPTION)

12.1



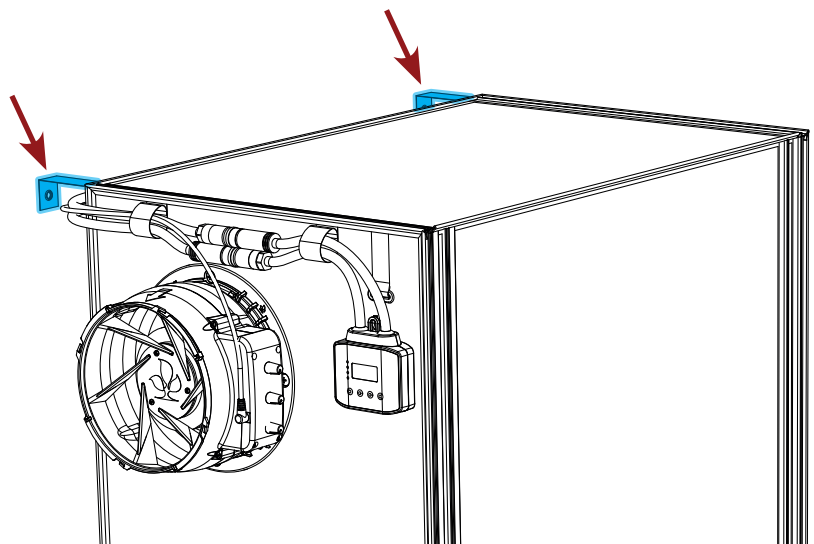
12.2



## 13 FIX TO WALL (OPTIONAL)

We recommend you attach eyelets to wall to prevent tip-over.

Use appropriate screws and plugs according to wall materials.



# HOW TO USE

## USING THE TIMER

The timer enables you to schedule your lights on a 24-hour cycle, with precise start times and durations (using the «START» and «DURATION» settings), and it also features dimming capabilities, allowing you to adjust brightness from 0% to 100%.



## RECOMMENDED VALUES FOR SHORT DAY PLANTS

Stage	Seedling / cutting	Growing	Flowering
<b>DURATION</b>	18h	18h	12h
<b>DIMMING</b>	40%	70%	100%

## USING THE EXTRACTOR

The extractor enables you to control temperature inside your grow room. It offers three key parameters: «TEMP°» to set your desired temperature, «EXT. MIN» to establish the minimum extraction rate, and «EXT. MAX» to specify the maximum extraction rate.

## RECOMMENDED SETTINGS

Stage	Seedling / cutting	Growing	Flowering
<b>TEMP°</b>	28 °C	24 °C	25 °C
<b>EXT. MIN</b>	0%	20%	40%
<b>EXT. MAX</b>	100m <sup>3</sup> /h*	100m <sup>3</sup> /h*	100m <sup>3</sup> /h*



\* EXT. MAX can be reduced to 80m<sup>3</sup>/h when using without filter

# MAINTENANCE

## **FILTER (OPTION)**

When using the optional filter, we advise you to replace it every 6 months. See instructions on page 18 for details on how to install or replace the filter.

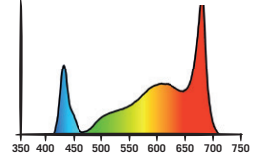
---

## **CLEANING**

Inside mylar can be cleaned using a damp cloth. Make sure to dry it properly with a dry cloth afterward.



# PRODUCT SPECIFICATIONS

<b>FOR TWENTY 100</b>																									
Reference	FS100																								
Designation	For Twenty 100																								
Weight (Net)	8.5 kg																								
Dimensions Assembled (WxDxH)	60x40x116 cm																								
<b>CONSUMPTION</b>																									
Max	140 W																								
Monthly																									
Light	12 h/d																								
kWh	45 kWh																								
<b>POWER &amp; PLUGS</b>																									
Voltage	200-240 V																								
Frequency	50/60 Hz																								
Plug Type, Country	C/G Type, UE/UK																								
<b>LIGHTING</b>																									
LED Bulbs	5x COP20FS																								
Power	100 W																								
PPE (Bulb)	2.85 $\mu\text{mol/s/W}$																								
PPE	2.70 $\mu\text{mol/s/W}$																								
PPFD																									
Grow Area	60x40 cm																								
Lighting Distance	15 cm																								
5x COP20FS	<table border="1"> <tbody> <tr> <td>945</td><td>1180</td><td>1350</td><td>1350</td><td>1180</td><td>945</td> </tr> <tr> <td>1180</td><td>1755</td><td>2045</td><td>2045</td><td>1755</td><td>1180</td> </tr> <tr> <td>1180</td><td>1755</td><td>2045</td><td>2045</td><td>1755</td><td>1180</td> </tr> <tr> <td>945</td><td>1180</td><td>1350</td><td>1350</td><td>1180</td><td>945</td> </tr> </tbody> </table> <p>PPF: 270 <math>\mu\text{mol/s}</math> Average PPFD: 1000 <math>\mu\text{mol/s/m}^2</math></p>	945	1180	1350	1350	1180	945	1180	1755	2045	2045	1755	1180	1180	1755	2045	2045	1755	1180	945	1180	1350	1350	1180	945
945	1180	1350	1350	1180	945																				
1180	1755	2045	2045	1755	1180																				
1180	1755	2045	2045	1755	1180																				
945	1180	1350	1350	1180	945																				
Spectrum	 <p>Summer: Full Spectrum</p>																								
<b>VENTILATION</b>																									
<b>2 min cycle (filter on)</b>																									
Extractor (included)	150 m <sup>3</sup> /h																								
Filter (option)	100 m <sup>3</sup> /h																								
Fan (included)	2x MF120																								
<b>HEAT MAT</b>																									
Included	–																								
Option	1x 20 W																								
<b>OTHER</b>																									
Life Time	50 000 h																								

# WARRANTY

Secret Jardin guarantees that all of its products are free from defects in materials and workmanship for a period of 2 years from the original purchase date (6 months for consumables products). During this period, Secret Jardin will repair or replace, at its discretion, any defective product at no cost to the original owner.

This warranty does not cover damages caused by misuse, accident, negligence, unauthorized modification, improper installation, or any other cause beyond the control of Secret Jardin.

Secret Jardin's liability under this warranty is limited to the cost of repairing or replacing the defective product. This warranty excludes any liability for indirect, incidental, or consequential damages.

To qualify for this warranty, we invite you to fill the form you can find on our website at [www.secretjardin.com](http://www.secretjardin.com)



